

THREELINE 

NEW

**TELLY** HBT

**ISI** HBI

LED HIGH BAY



[ThreelineGroup.com](http://ThreelineGroup.com)



# TELLY

PRO  
HBT

Real  
160 lm/W

## LED HIGH BAY PRO

100W

150W

200W

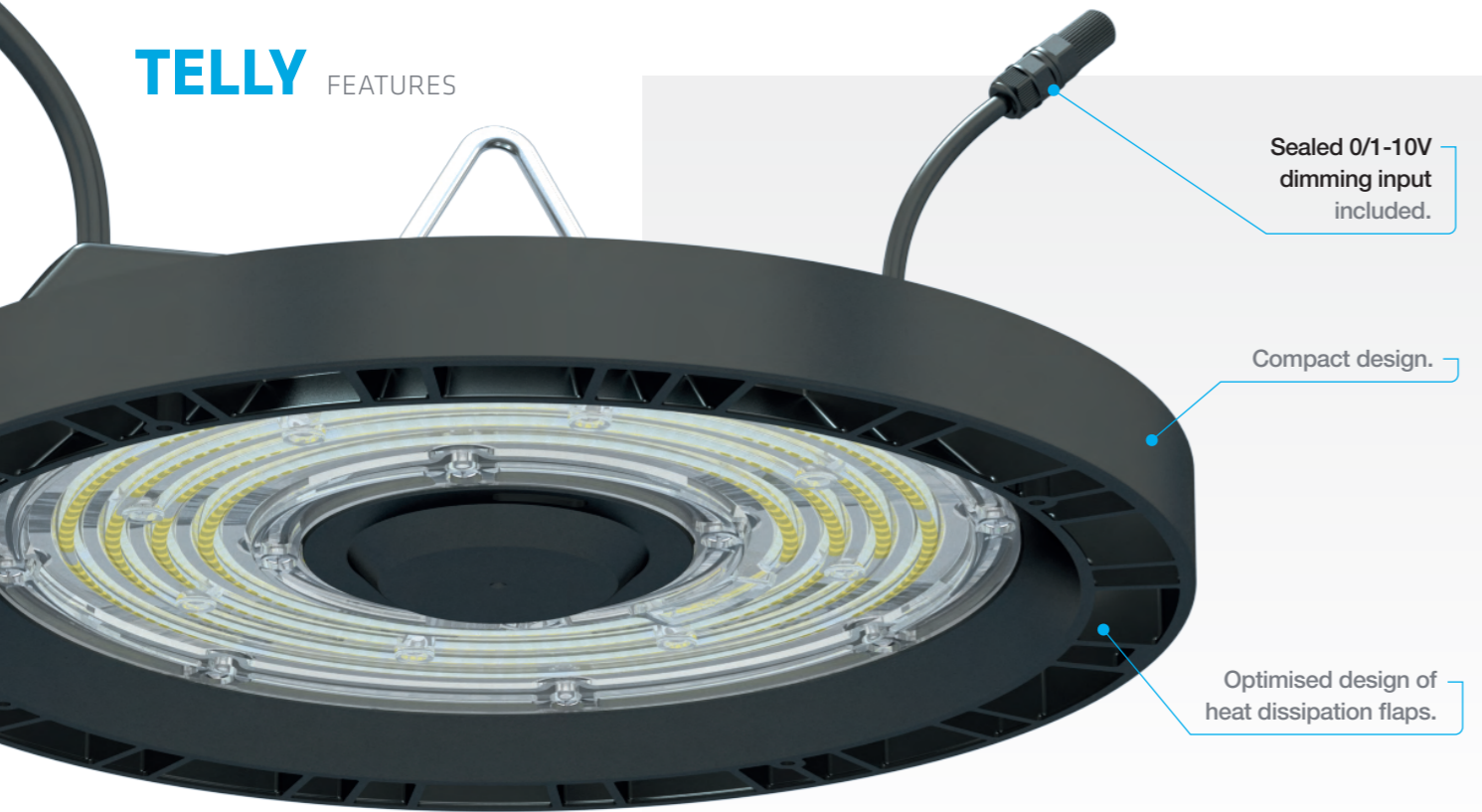
The new compact high bay **TELLY**, due to its efficiency up to real 200 lm/W, is the ideal solution for installations that need a high level of visual comfort, such as industrial areas, logistic centres, big surfaces or spaces with high ceilings.

It is made of high-quality aluminium, with a **light and compact design**, facilitating heat dissipation and improving the durability of the product, that has a **5 years warranty**.

**TELLY** high bay is the perfect example of efficiency, easy-installation and integrated home automation. Moreover, it is by default equipped with a **0/1-10V dimmable driver** and, thanks to various **smart control options**, it is possible to regulate it with systems such as Casambi, DALI, Bluetooth and Zigbee.

This variety of options and customisation accessories make **TELLY** high bay one of the company's most versatile professional products.

# TELLY FEATURES



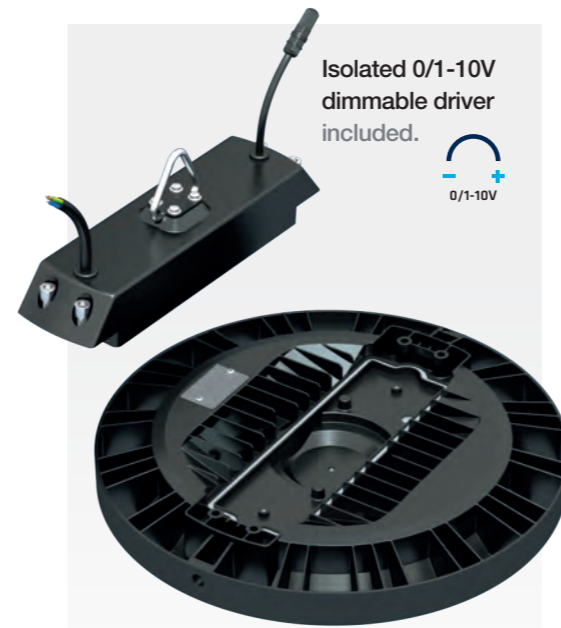
With its IP65 degree of protection, TELLY high bay is totally dust tight and protected against humidity.



IP65



Its die-cast aluminium body permits an efficient heat management, thus extending its lifetime.



Isolated 0/1-10V dimmable driver included.



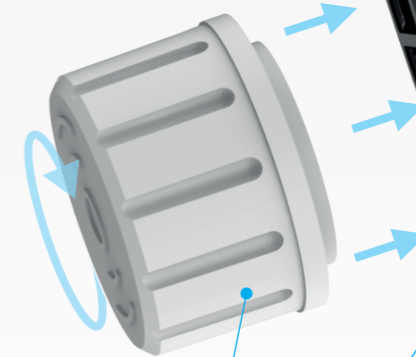
Dimming options: DALI CASAMBI BLUETOOTH ZIGBEE

Easy installation, with a foldable lifting ring.



Made of aluminium alloy ADC12.

UV resistant IK10 polycarbonate lens.

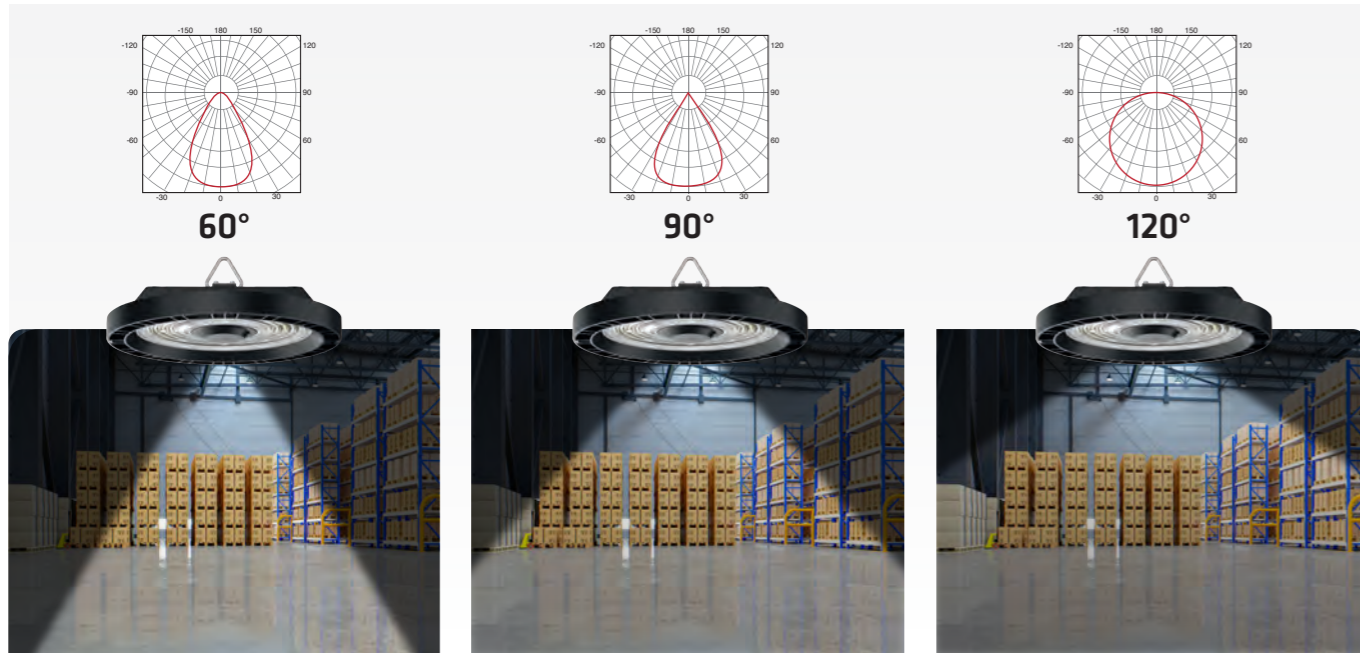


Smart control options.

Zhaga Base.

Improved efficiency thanks to its high brightness LED. Real 160 lm/W.

# TELLY OPTIONS



60°, 90° and 120° beam angles to better adapt to every kind of installation.

Bracket to facilitate fastening and orientation of the high bay.



Aluminium reflector accessory available to achieve low UGR.

# TELLY CONTROLS

Several smart control options thanks to Zhaga Base compatible sensors.



PIR sensor.



zigbee

Wireless sensor.



Use with ZigBee gateway.



Bluetooth

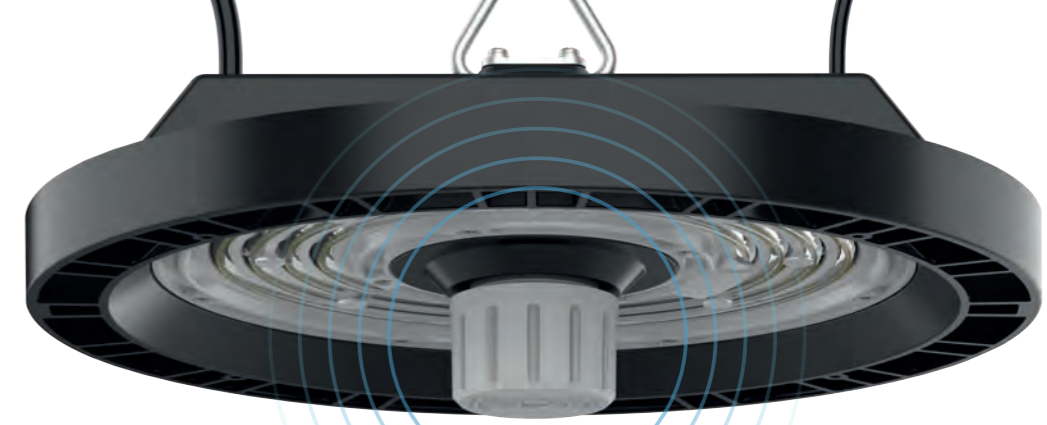
Wireless sensor.



Use with Bluetooth gateway for remote access.



Option to install SL20 light sensor.



Latest generation design,  
with one-piece mould.

Easy installation, with a  
foldable lifting ring.



# ISI <sup>ECO</sup> HBI LED HIGH BAY

The new basic high bay ISI, developed with a compact and optimised design, achieves good results in installations in wide spaces.

With real 140 lm/W efficiency, two colour temperatures and three power versions, it perfectly adapts to illuminate locations with high ceilings.

Its design improves dissipation, thus assuring its correct functioning and extending its lifetime, so we can offer a 5 years warranty.

Real 140 lm/W

100W 150W 200W

5700K 4000K

FLICKER FREE

120°

5 YEARS WARRANTY

## ISI FEATURES

Improved efficiency thanks to its high brightness LED. Real 140 lm/W.

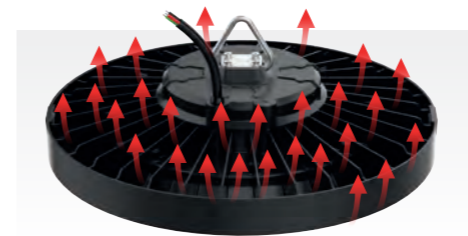
Optimised heat dissipation.

Made of aluminium alloy ADC12.

Compact design.

UV resistant polycarbonate lens. IK10

## ISI OPTIONS



Optimal heat management.



IP65 degree of protection.

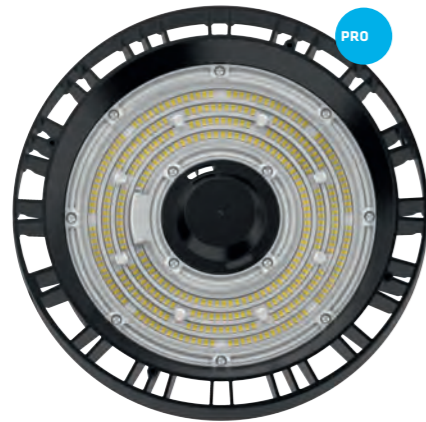


Bracket accessory available.



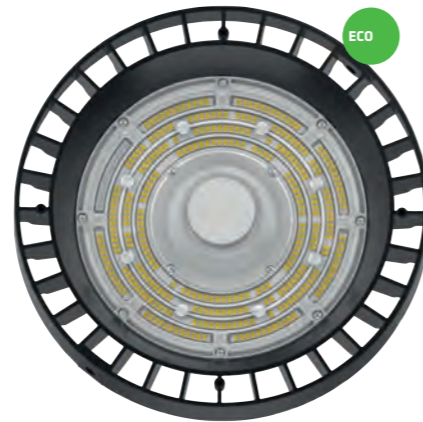
Aluminium reflector accessory to achieve low UGR available.

# TELLY HBT



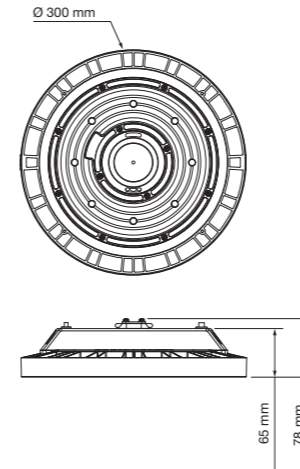
- ✓ Power: 100W, 150W, 200W.
- ✓ CCT: 5700K, 4000K.
- ✓ Driver: Dimmable 0/1-10V.
- ✓ Efficiency: Up to real 200 lm/W.
- ✓ Beam angle: 60°, 90°, 120°.
- ✓ Protection Rating: IP65.
- ✓ Smart control.
- ✓ Dimming systems: DALI, Casambi, Bluetooth, Zigbee.
- ✓ Zhaga base.
- ✓ Accessories: Emergency kit, Bracket and Reflector.
- ✓ Warranty: 5 years.

# ISI HBI

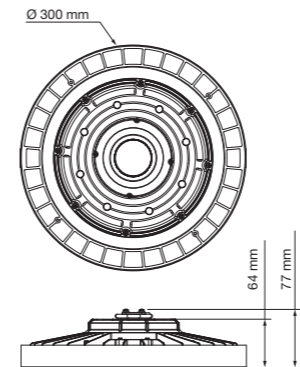


- ✓ Power: 100W, 150W, 200W.
- ✓ CCT: 5700K, 4000K.
- ✓ Efficiency: Real 140 lm/W.
- ✓ Beam angle: 120°.
- ✓ Protection Rating: IP65.
- ✓ Accessories: Bracket and Reflector.
- ✓ Warranty: 5 years.

# TELLY HBT



# ISI HBI



Model	CCT	W	Beam 1	Beam 2	Beam 3
HBT1005760	5700K	100 W	16000 lm	18000 lm	60°
HBT1004060	4000K	100 W	16000 lm	18000 lm	60°
HBT1005790	5700K	100 W	16000 lm	18000 lm	90°
HBT1004090	4000K	100 W	16000 lm	18000 lm	90°
HBT10057120	5700K	100 W	16000 lm	18000 lm	120°
HBT10040120	4000K	100 W	16000 lm	18000 lm	120°
HBT1505760	5700K	150 W	24000 lm	27000 lm	60°
HBT1504060	4000K	150 W	24000 lm	27000 lm	60°
HBT1505790	5700K	150 W	24000 lm	27000 lm	90°
HBT1504090	4000K	150 W	24000 lm	27000 lm	90°
HBT15057120	5700K	150 W	24000 lm	27000 lm	120°
HBT15040120	4000K	150 W	24000 lm	27000 lm	120°
HBT2005760	5700K	200 W	32000 lm	36000 lm	60°
HBT2004060	4000K	200 W	32000 lm	36000 lm	60°
HBT2005790	5700K	200 W	32000 lm	36000 lm	90°
HBT2004090	4000K	200 W	32000 lm	36000 lm	90°
HBT20057120	5700K	200 W	32000 lm	36000 lm	120°
HBT20040120	4000K	200 W	32000 lm	36000 lm	120°

Model	CCT	W	Beam 1	Beam 2	Beam 3
HBI10057120	5700K	100 W	14000 lm	18000 lm	120°
HBI10040120	4000K	100 W	14000 lm	18000 lm	120°
HBI15057120	5700K	150 W	21000 lm	27000 lm	120°
HBI15040120	4000K	150 W	21000 lm	27000 lm	120°
HBI20057120	5700K	200 W	28000 lm	36000 lm	120°
HBI20040120	4000K	200 W	28000 lm	36000 lm	120°



THREELINE 

INDOOR  
INDUSTRIAL  
OUTDOOR  
SPORTS  
SMART  
STREET  
DECORATIVE

LIGHTING



[ThreelineGroup.com](http://ThreelineGroup.com)



THREELINE 